



US00D588182S

(12) **United States Design Patent**  
**Fong**

(10) **Patent No.:** **US D588,182 S**

(45) **Date of Patent:** **\*\* Mar. 10, 2009**

(54) **PHOTOGRAPHIC LIGHT DIFFUSER**

4,807,089 A \* 2/1989 Nussli ..... 362/320  
6,609,803 B2 \* 8/2003 Lichfield ..... 362/16  
D494,306 S \* 8/2004 Layne ..... D26/118

(76) Inventor: **Gary M. Fong**, 4265 Marina City Dr.,  
No. 505, Marina del Rey, CA (US)  
90292-1742

(\*\*) Term: **14 Years**

(21) Appl. No.: **29/296,313**

(22) Filed: **Oct. 17, 2007**

**Related U.S. Application Data**

(63) Continuation of application No. 11/055,934, filed on  
Feb. 11, 2005.

(51) **LOC (9) Cl.** ..... **16-05**

(52) **U.S. Cl.** ..... **D16/237**; D26/118

(58) **Field of Classification Search** ..... D16/237,  
D16/239, 240; D26/118, 119, 124, 128;  
362/3, 16-18, 320; 396/176

See application file for complete search history.

(56) **References Cited**

**U.S. PATENT DOCUMENTS**

D31,587 S \* 10/1899 Rhind ..... D26/128  
756,194 A \* 3/1904 Zalinski ..... D26/119  
D50,131 S \* 1/1917 Hoeveler ..... D26/128  
2,747,076 A \* 5/1956 Eloranta ..... 362/17  
3,462,591 A \* 8/1969 Pichard ..... 362/18  
4,091,444 A \* 5/1978 Mori ..... 362/374

**OTHER PUBLICATIONS**

Internet: <http://www.lumiquest.com/>; LumiQuest The World Leader  
in Flash Accessories for Digital & Film; © 2005 LumiQuest; 1 sheet.  
Internet: <http://www.stofen.com/>; STO-FEN Products; 1 sheet.

Product Pamphlet: Strobframe Flash Brackets and accessories; ©  
1992; 16 sheets.

Product Pamphlet: LumiQuest Photographic Accessories; 3 sheets.  
Magazine Article: Stint, S., "Stint's View", Popular Photography,  
Feb. 1996, 3 sheets.

\* cited by examiner

*Primary Examiner*—Adir Aronovich

(74) *Attorney, Agent, or Firm*—Christie, Parker & Hale, LLP.

(57) **CLAIM**

The ornamental designs for a photographic light diffuser, as  
shown and described.

**DESCRIPTION**

FIG. 1 is a perspective view of a photographic light diffuser,  
showing my new design;

FIG. 2 is a front elevation view thereof;

FIG. 3 is a side elevation view thereof;

FIG. 4 is a top plan view thereof; and,

FIG. 5 is a bottom view thereof.

**1 Claim, 5 Drawing Sheets**

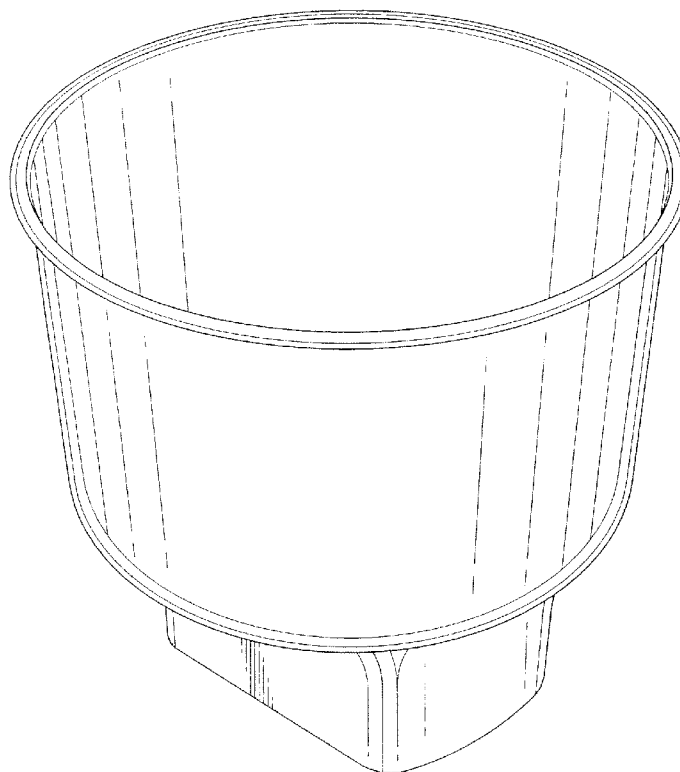
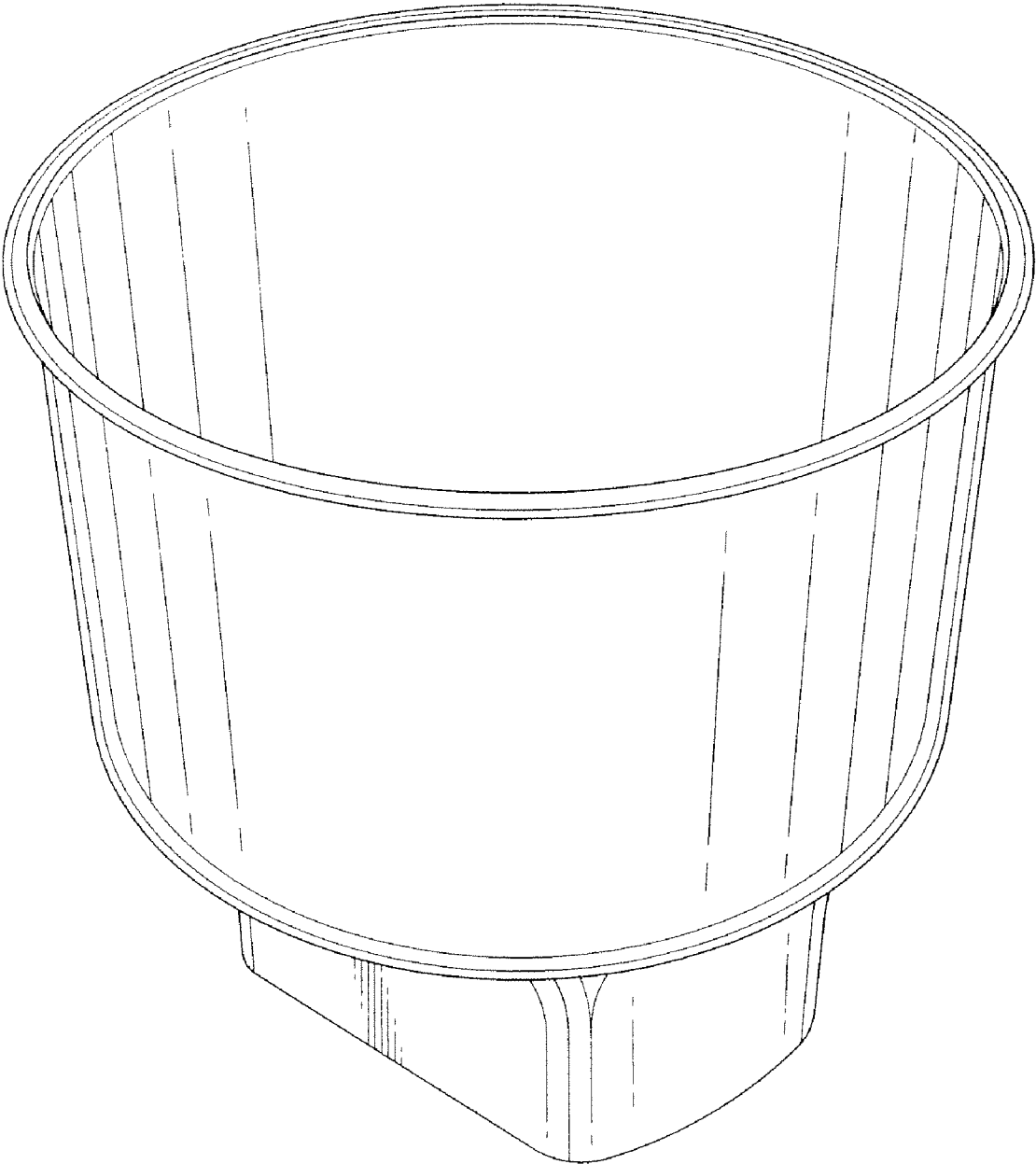
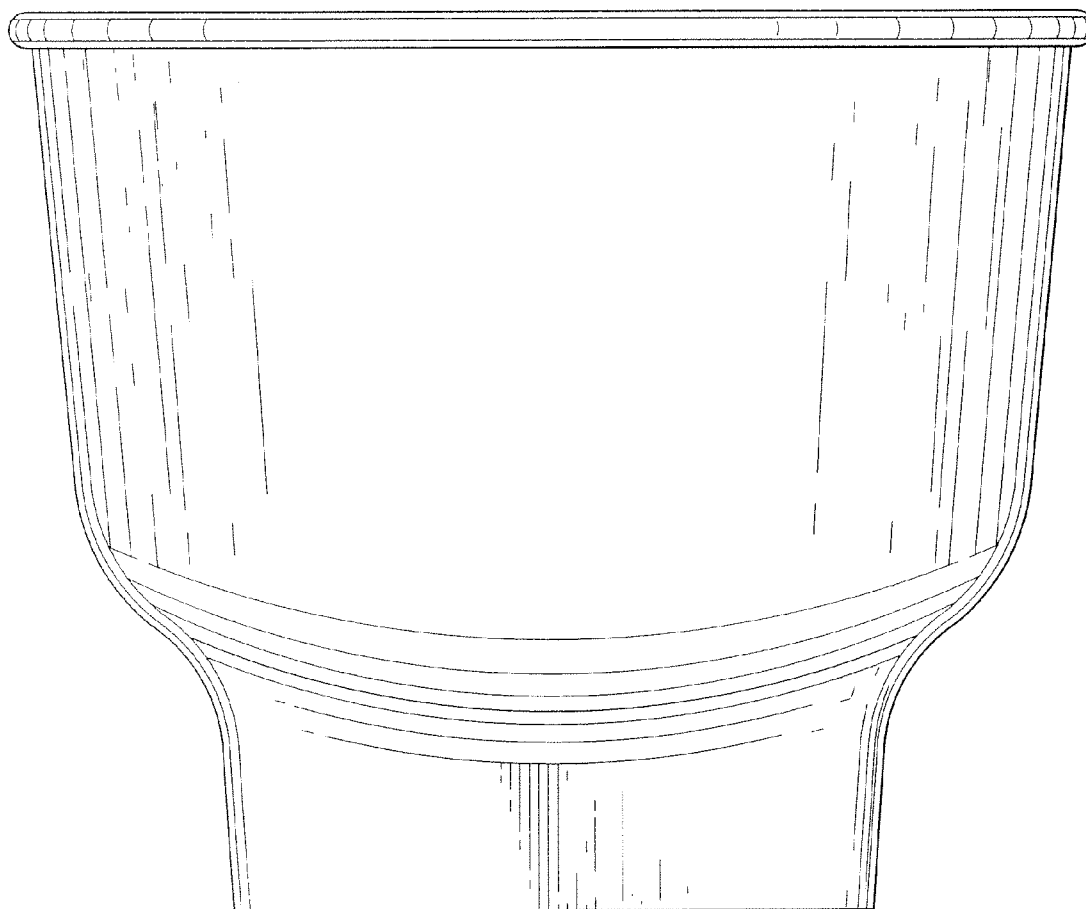


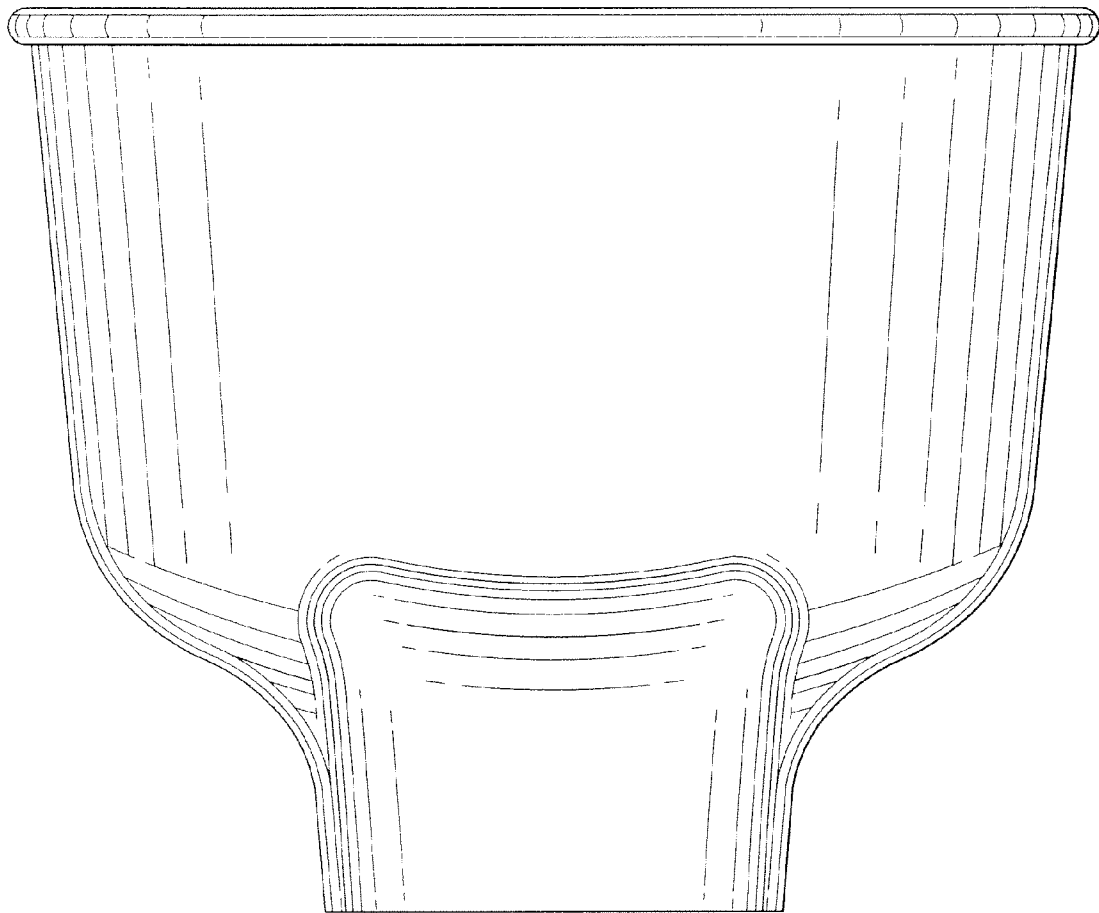
FIG. 1



*FIG. 2*



*FIG. 3*



*FIG. 4*

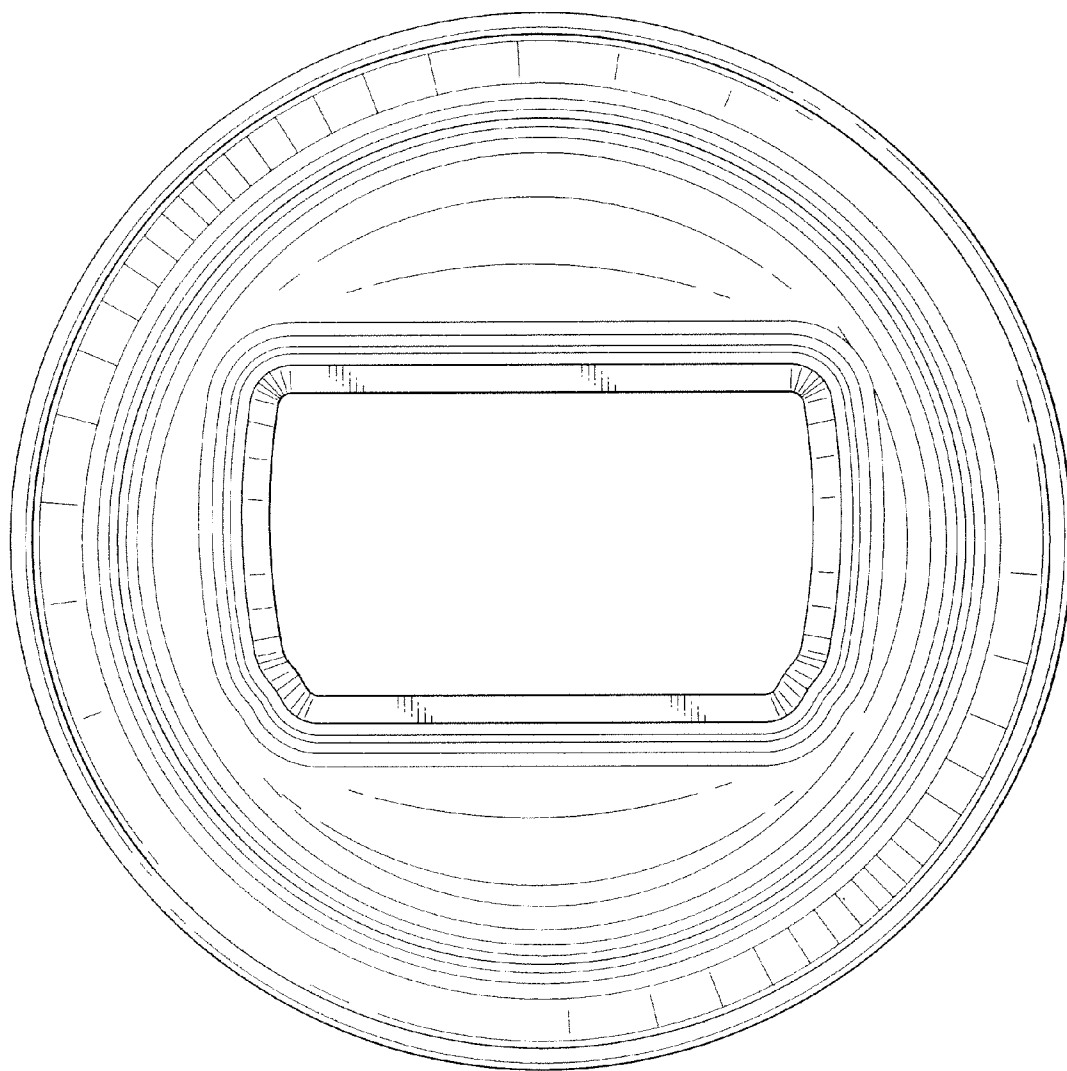


FIG. 5

