



US00D591323S

(12) **United States Design Patent**
Fong

(10) **Patent No.:** **US D591,323 S**

(45) **Date of Patent:** **** Apr. 28, 2009**

(54) **PHOTOGRAPHIC DIFFUSER**

(76) Inventor: **Gary Fong**, 1301 First Ave., #2103,
Seattle, WA (US) 98101

5,556,186 A 9/1996 Pilby
5,839,006 A 11/1998 Beckerman
D433,178 S * 10/2000 Donato D26/118
7,399,097 B1 * 7/2008 DeLaPaz 362/18

(**) Term: **14 Years**

(21) Appl. No.: **29/292,590**

(22) Filed: **Oct. 17, 2007**

(51) **LOC (9) Cl.** **16-05**

(52) **U.S. Cl.** **D16/237; D26/118**

(58) **Field of Classification Search** D16/237,
D16/239, 240; D26/118, 119, 124, 128;
362/3, 16-18, 320; 396/176

See application file for complete search history.

(56) **References Cited**

U.S. PATENT DOCUMENTS

3,855,602 A	12/1974	Hoos	
3,939,340 A *	2/1976	Gozzano et al.	362/320
4,066,885 A	1/1978	Weinberg	
4,084,168 A	4/1978	Pizzuti et al.	
4,091,402 A	5/1978	Siegel	
4,146,918 A	3/1979	Tureck	
D251,630 S *	4/1979	Larson	D26/128
4,251,854 A	2/1981	Kaneko et al.	
4,446,506 A	5/1984	Larson	
4,633,374 A	12/1986	Waltz et al.	
4,757,425 A	7/1988	Waltz	
4,807,089 A *	2/1989	Nussli	362/17
D312,471 S *	11/1990	Couch	D16/239
5,095,325 A	3/1992	Carstens	
5,154,503 A	10/1992	Sternsher	
D342,273 S *	12/1993	Couch	D16/237
5,311,409 A	5/1994	King	
D373,132 S *	8/1996	Baillie-Hamilton et al.	D16/ 237

OTHER PUBLICATIONS

Internet: <http://www.lumiquest.com/>; LumiQuest The World Leader in Flash Accessories for Digital & Film; © 2005 LumiQuest; 1 sheet.
Internet: <http://www.stofen.com/>; STO-FEN Products; 1 sheet.

Product Pamphlet: Strobiframe Flash Brackets and accessories; © 1992; 16 sheets.

Product Pamphlet: LumiQuest Photographic Accessories; 3 sheets.
Magazine Article: Sint, S., "Sint's View", Popular Photography, Feb. 1996, 3 sheets.

Internet: <http://dembflashdiffusers.com/>; Demb Flash Diffuser Pro, 2 sheets.

* cited by examiner

Primary Examiner—Adir Aronovich

(74) *Attorney, Agent, or Firm*—Christie, Parker & Hale, LLP.

(57) **CLAIM**

The ornamental design for a photographic diffuser, as shown and described.

DESCRIPTION

FIG. 1 is a perspective view of a photographic light diffuser showing my new design;

FIG. 2 is a front elevational view thereof;

FIG. 3 is a right side elevational view thereof, the undisclosed left side view being a mirror image;

FIG. 4 is a rear elevational view;

FIG. 5 is a top plan view thereof; and,

FIG. 6 is a bottom plan view thereof.

1 Claim, 6 Drawing Sheets

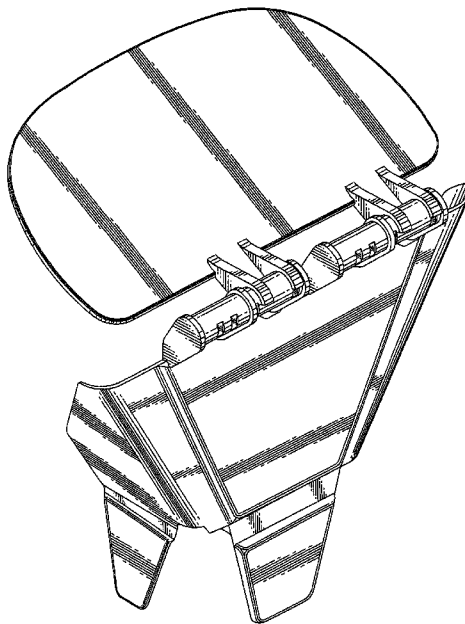


FIG. 1

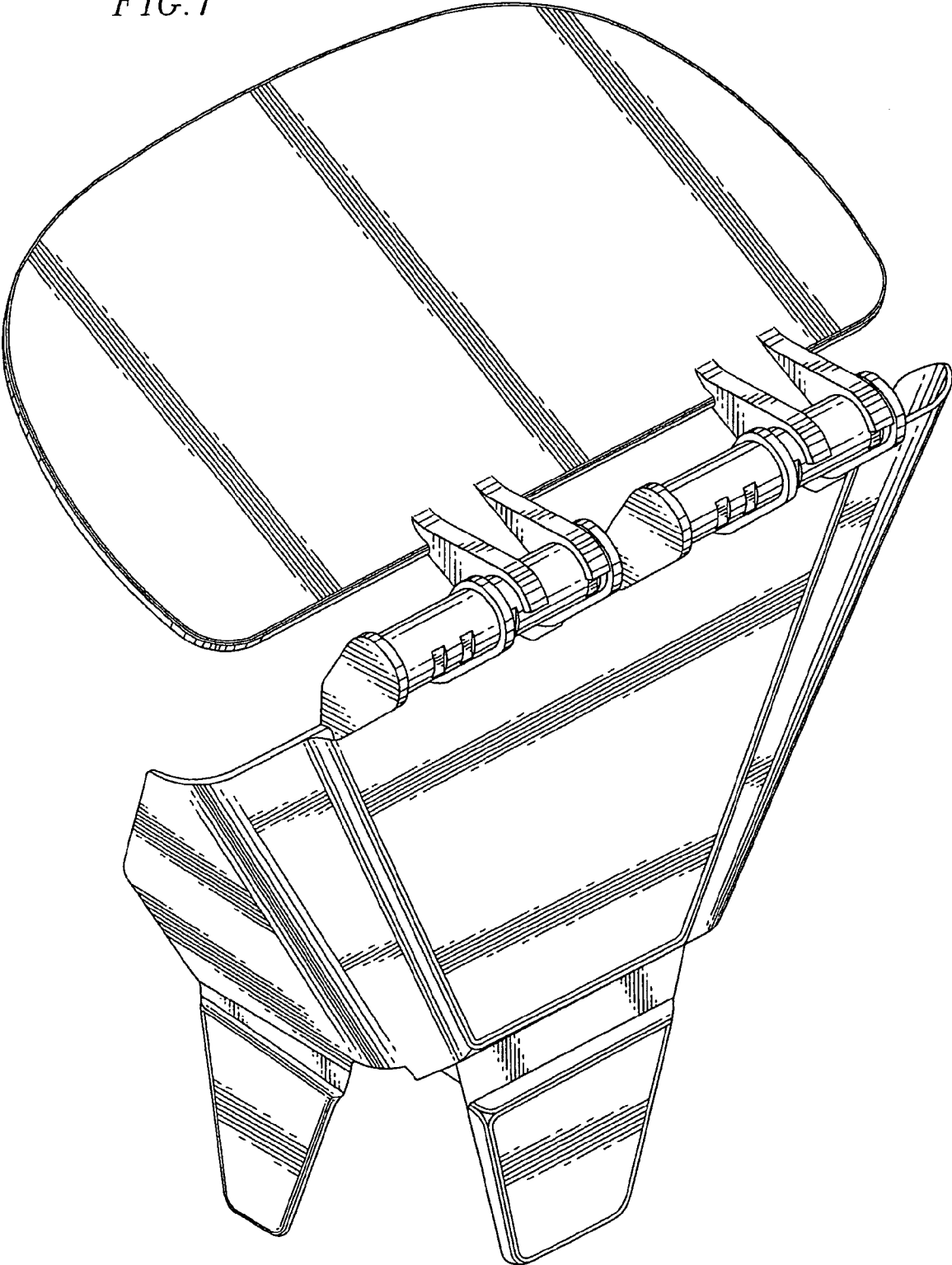


FIG. 2

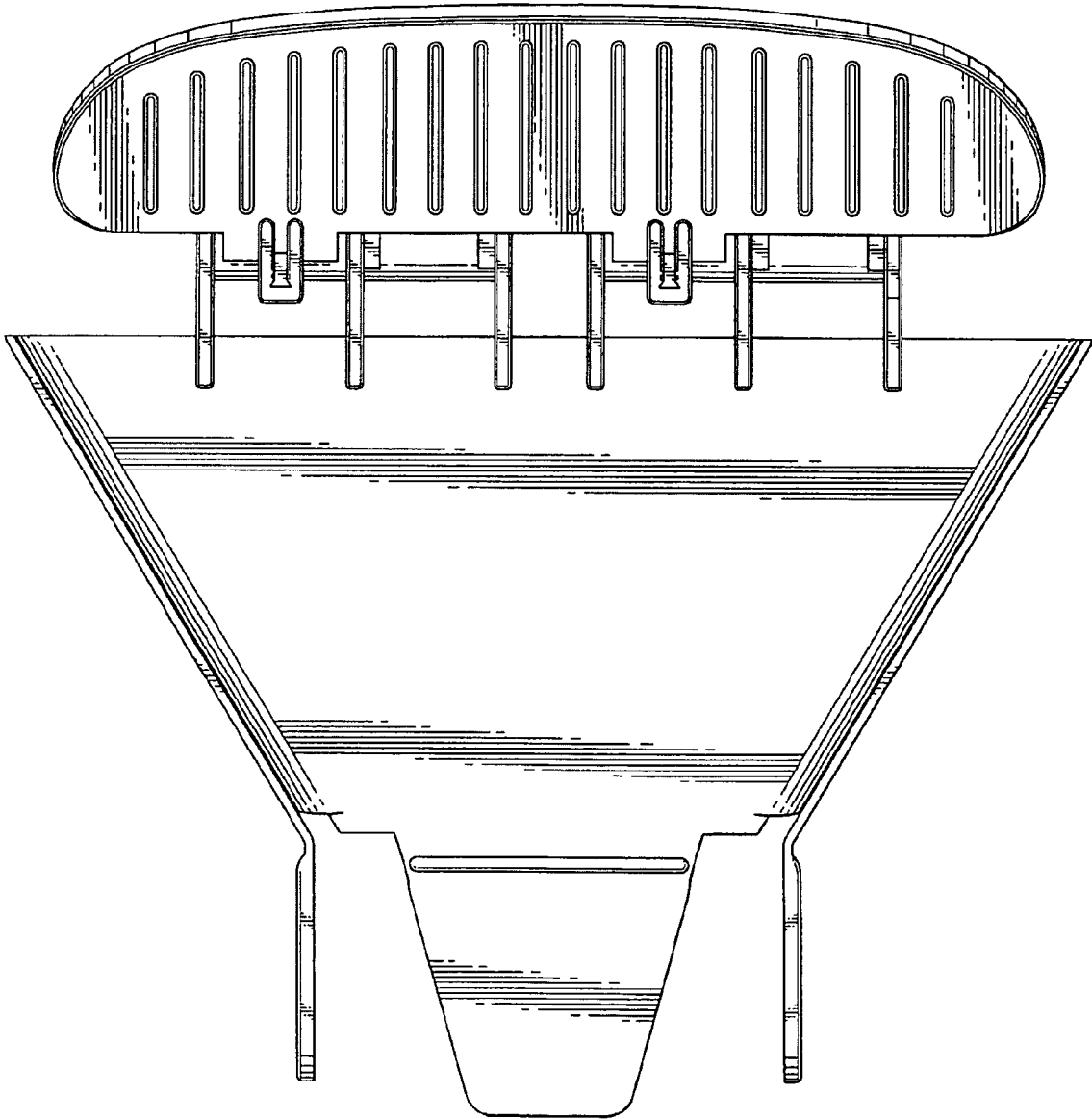


FIG. 3

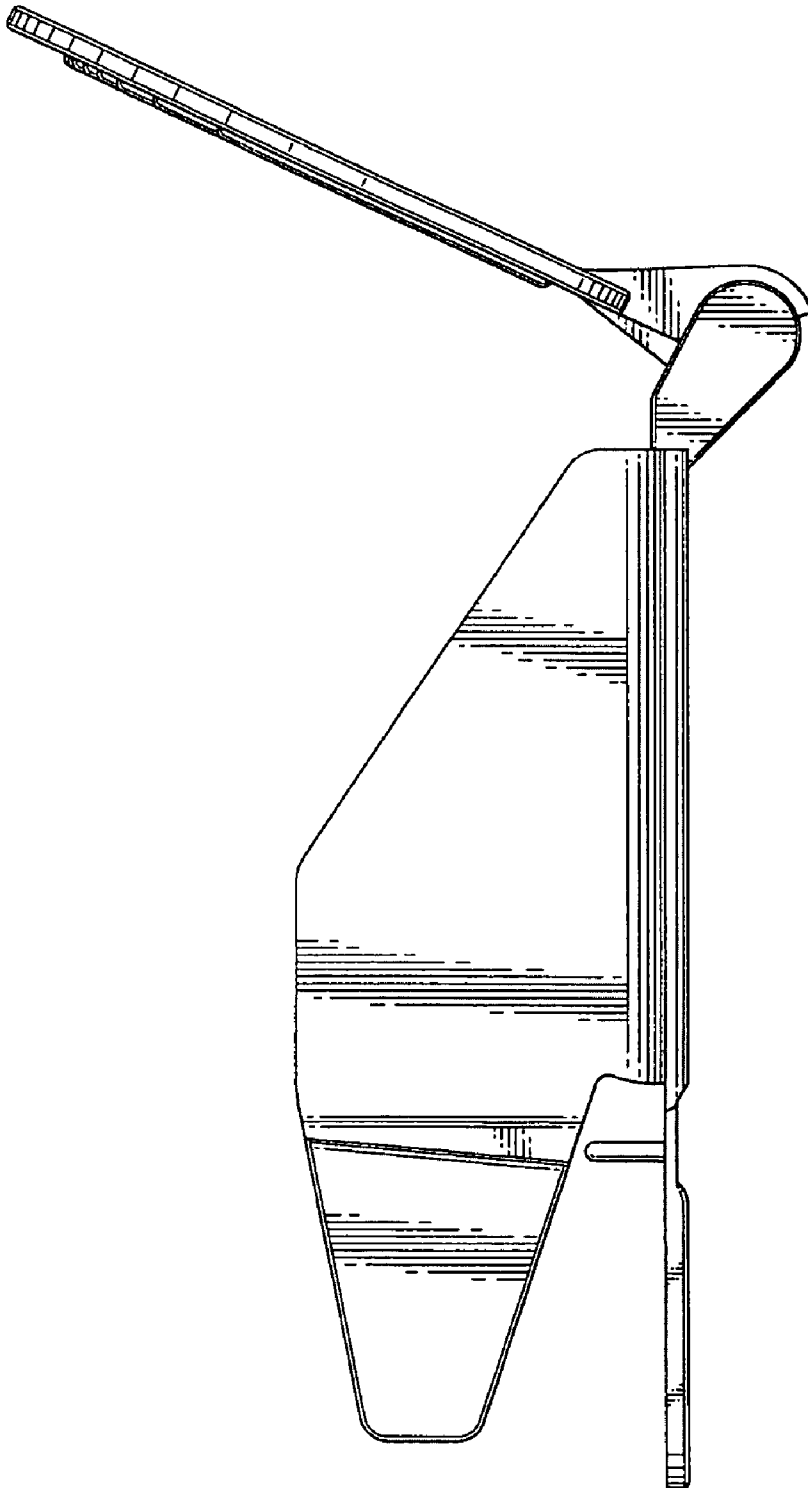


FIG. 4

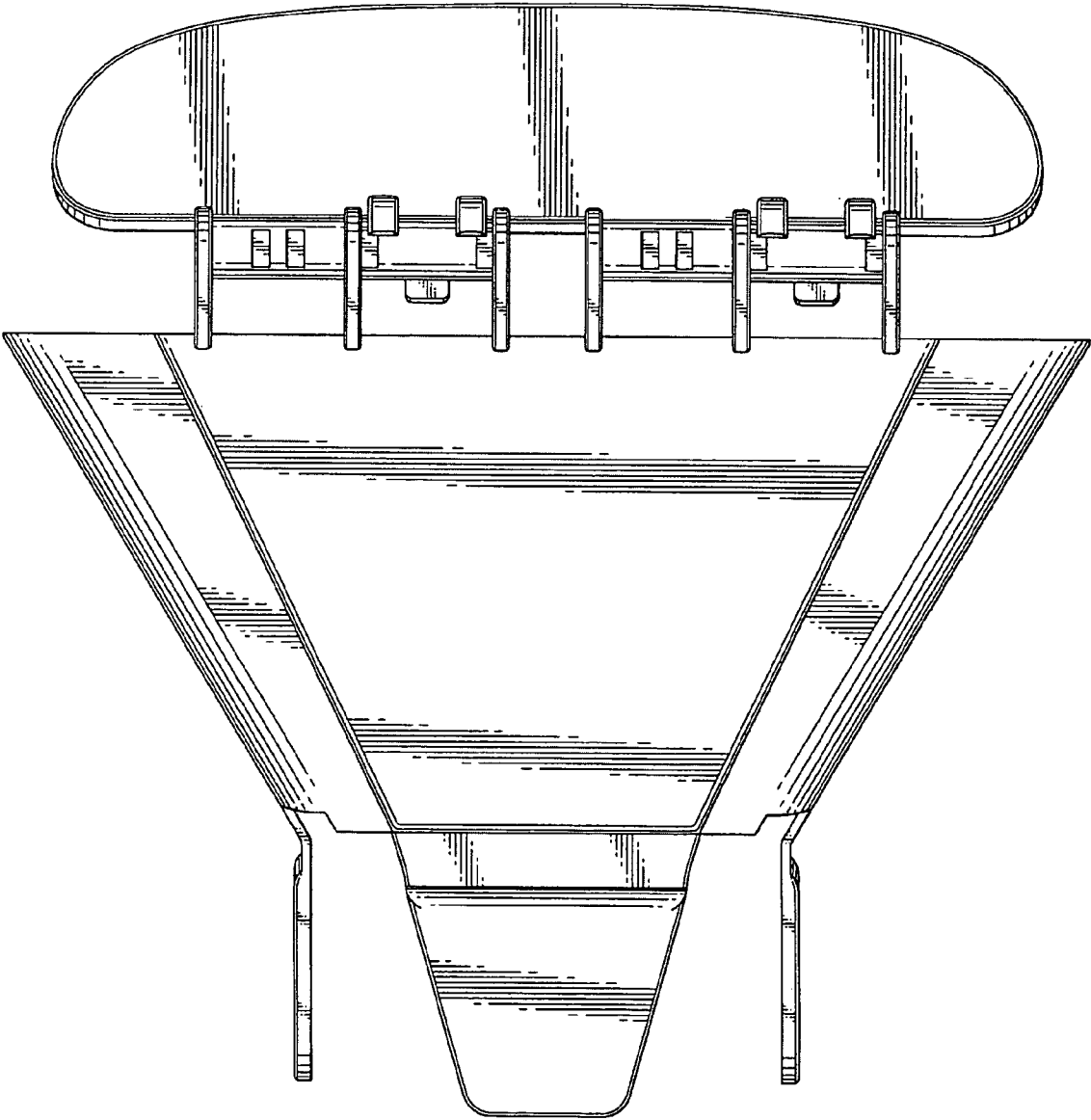


FIG. 5

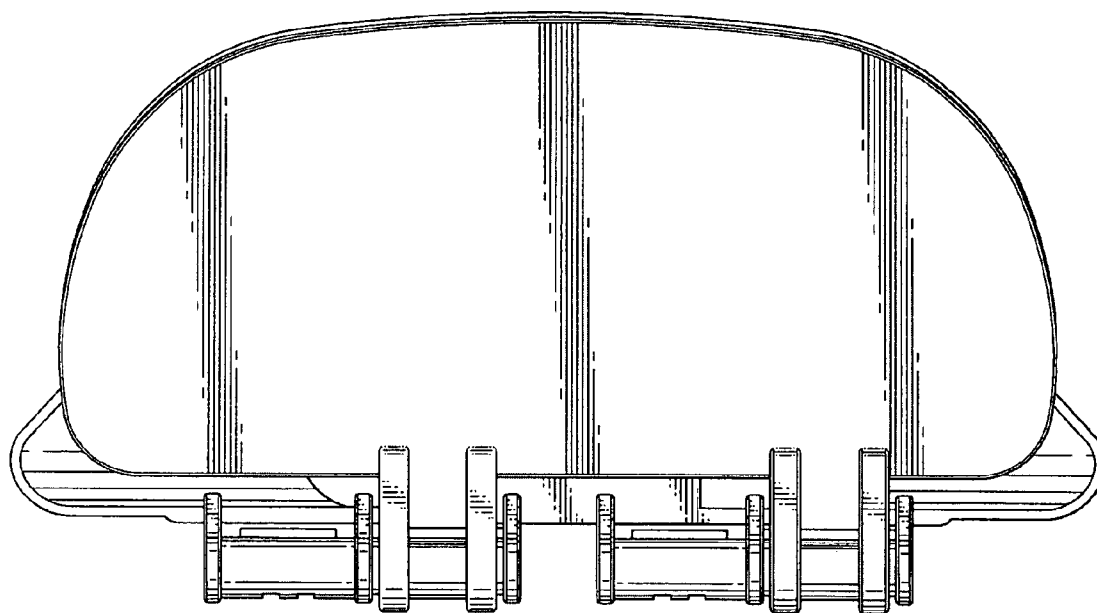


FIG. 6

